

MobilePresenter

40" MULTITOUCH LED



MobilePresenter

60" MULTITOUCH LED



NEW from U-Touch : **MobilePresenter**

MobilePresenter is a touch screen in a slim flight case, perfect for demonstrations and presentations on the move. This 40" slim line LED backlit display with Shadow Sense 5 Touch Technology is one of the best examples of multi-touch screens available on the market, giving your presentation a truly professional image.

A Slim line PC is included, and choice of rounded bezel corners and RAL colours personalise the unit. The aluminium flight case with wheels and handles is lightweight and easy to transport in the car and take in oversize luggage on the aeroplane.

Its a **Bright** Future!

Here at U-Touch, we enjoy designing and creating fresh, new and innovative Touch products. With this in mind, we are now pleased to offer your colour choice of Bezel on any U-Touch product – FREE* of charge!

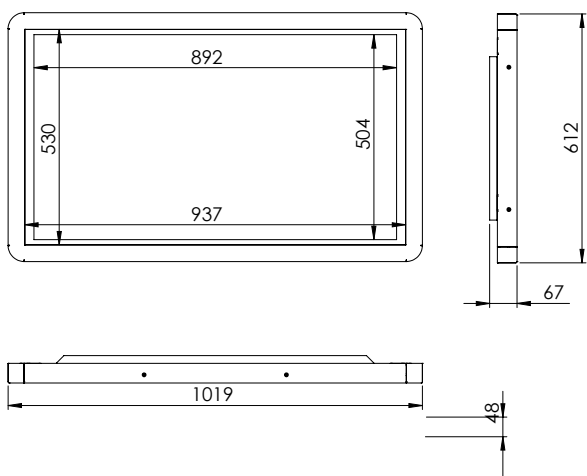


MobilePresenter Set-up

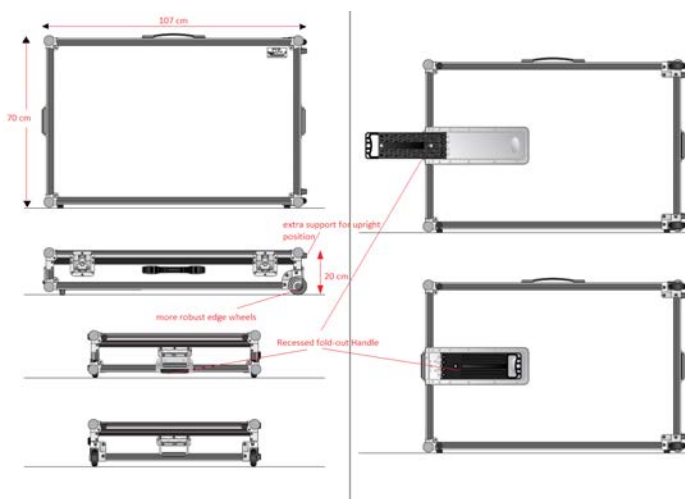


MobilePresenter Dimensions

TOUCH DISPLAY



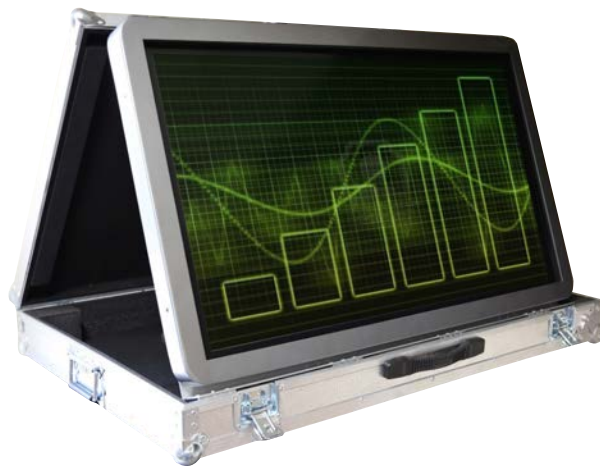
TOUCH DISPLAY CASE



MobilePresenter

SPECIFICATION

DISPLAY	Screen Size	40"/101.6cm
	Panel Technology	Edge LED backlights
	Aspect Ratio	16:9
	Native Resolution	1920 x 1080 at 60 Hz
	Brightness	500, (700 max)
	Contrast Ratio	3500:1
	Viewing Angle (H x V)	178 horizontal / 178 vertical
	Remote Control	RS-232c
	Panel Refresh Rate	60
CONNECTIVITY	Inputs	1 x D-sub 15 pin, BNC, 1 xDVI-D, 1xHDMI
	Outputs	Display port, 1xHDMI
	Audio Speakers	5W + 5W
TOUCH FEATURES	Technology	Shadow Sense, T-Sense
	Touch Points	2,5
	Touch Method	Any object
	Touch Activation Force	No force required
	Touch Accuracy	Sub 2 mm
	Response Time	6-8 ms
	Connectivity	USB
	Software	HID Interface, No driver required
PHYSICAL SPECIFICATION	Bezel Width	41mm
	Bezel Construction	Aluminium
	Bezel Colour	Any RAL colour
	Glass	Tempered 4mm with anti-reflective coating
	Luminous Transmission	88% with anti-reflective coating, 100% without
	Unit Dimension (W x H x D)	1019mm x 67mm x 612mm
	Total Weight	44kg
	Case Dimensions (W x H x D)	1070mm x 700mm X 200mm
ENVIRONMENTAL	Operation Temperature	+5 to +40
	Storage Temperature	-20 to +60
	Operation Humidity	10 to 90
POWER	Power Supply (Country Specific)	100-120v/220-240v; 3.0A/1.2A; int.power supply
	Power Consumption	110 Shipping, 235 (max)
	Typical / Smart Energy Saving	ECO mode; ambient light sensor; LED backlight; carbon saving meter.
CERTIFICATIONS	Product	CE
	Energy Star	Energy Star 5.1
ACCESSORIES	Included	OPS Slot PC (UTSLOTPC) with Windows 7/8, Multitouch presenter application, HDSDI
	Optional	Board, Speaker 15Wx15W
SPECIAL FEATURES	Included	Rounded edge bezel corners Multi-media Bezel Webcam (1), USB
	Optional	Ports(4), iPhone dock(1)
WARRANTY	Years	3 years return to base
	Type	yes
	Extension available?	Telephone and remote login support (9am - 5pm)



MobilePresenter

Worldwide Specialists In Interactive Touch Screen Technologies

U-Touch UK

The Roundhouse, Courtyard Barns, Cookham Dean, Berkshire,
SL6 6PT, United Kingdom Tel: +44 (0) 845 180 9292 Fax: +44 (0) 845 180 9293
sales.enquiries@u-touch.co.uk

Copyright ©2013 U-Touch Ltd 2013 All rights reserved

May2013

utouch | uk